



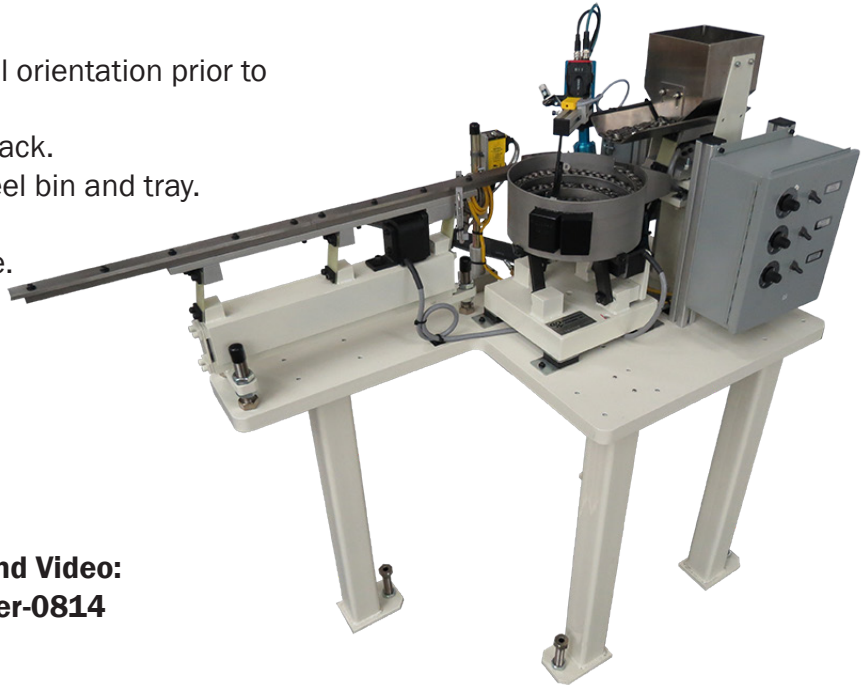
PERFORMANCE FEEDERS

VISION-AIDED FEEDING APPLICATION

This vibratory feed system includes a vision system to orient a part based on an internal feature that can't be oriented mechanically.

This system includes:

- 10" diameter vibratory feeder bowl.
- Vision system on bowl feeder that performs final orientation prior to discharge.
- 36" long stainless steel vibratory straight line track.
- 1/4 cu. ft. bulk supply hopper with stainless steel bin and tray.
- Heavy-duty steel table.
- Standard Performance Feeders control package.
- Integrated sensors to automatically control the bowl, hopper and vision system.



Full Specification, Photos and Video:
<http://tinyurl.com/AppFlyer-0814>

FEATURES

- **Integrated vision system:** The part this system was designed to feed had an indentation on one side that needed to be oriented. The vision system allowed for orientation based on this feature that otherwise couldn't have been accomplished by conventional orienting methods.
- **Fully automatic operation:** Photoelectric and proximity sensors control the operation of the bowl and hopper, ensuring the proper level of parts is maintained in the bowl and track.

CONTACT PERFORMANCE FEEDERS



251 Dunbar Avenue
P.O. Box 1067
Oldsmar, FL 34677-1067

Phone: 813-855-2685
Fax: 813-855-4296
Web: www.PerformanceFeeders.com
Email: Sales@PerformanceFeeders.com